

# Standard Web Truss Mount

## Installation Instructions

## Table of Contents

Before You Begin.....	2
Tools Required .....	2
Standard Web Truss Mount Components .....	3
Installation Instructions.....	4-7

## Before You Begin

The Standard Web Truss Mount, when installed as directed, is designed and engineered to support up to a 24' Fan with a 4' drop and a 4' extension utilizing a multitude of beam length combinations.

The maximum span achievable across two web truss mounts without the need for additional hardware is 23' utilizing two 5" x 3.5" x 0.5" angles

Consult a structural engineer before installation.



### Warning!

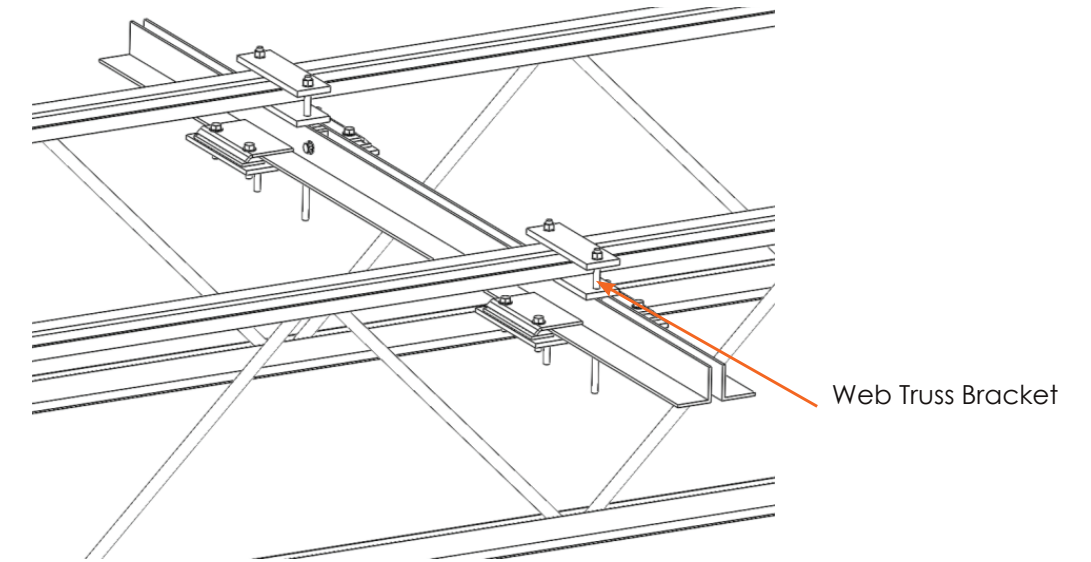
Ignoring the following instructions can cause physical injury or death, or damage to the equipment.

**Note:** The illustration/images may change without notice. All dimensions and specifications are approximate, and drawings are not to scale.

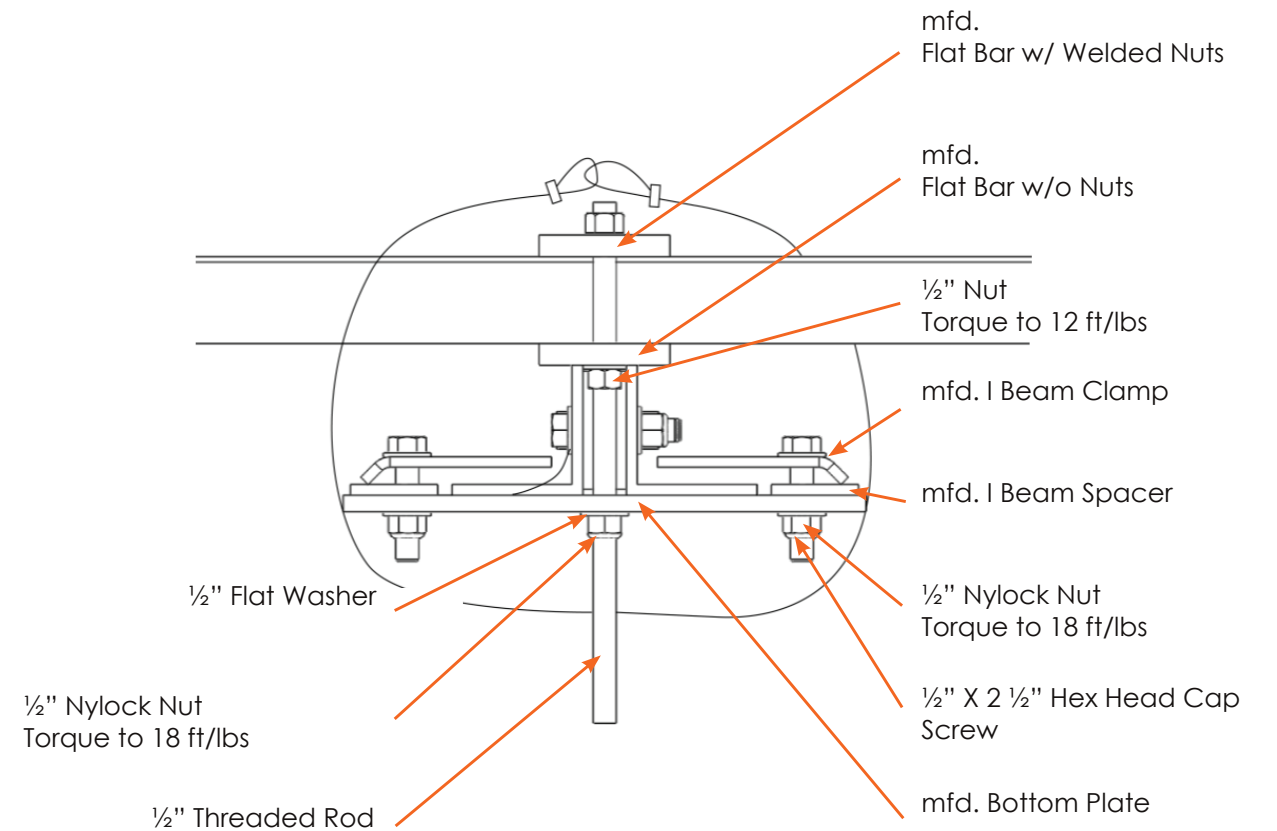
## Tools Required

- Ratchet or impact gun
- 7/16" and 3/4" Imperial socket to fit bolt heads and nuts
- 3/4" Imperial wrench to fit bolt heads and nuts
- Lifting device or scaffolding
- Appropriate personal protective equipment
- Open-end torque wrench with torques setting as low as 10 ft/lbs.

## Standard Web Truss Mount Components

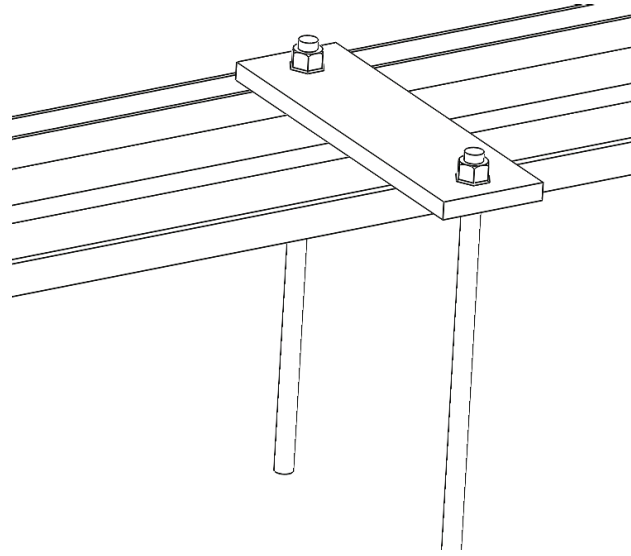


Web Truss Bracket

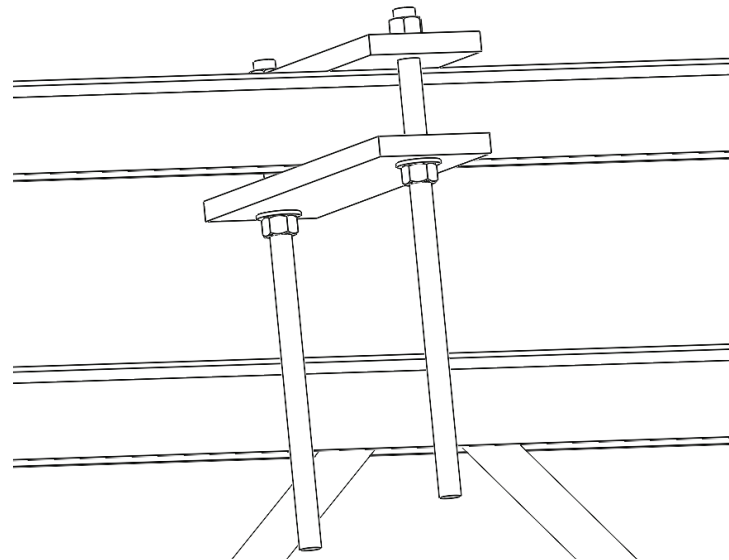


## Installation Instructions

1. Install 3" flat bar with welded nuts over the top chord of the web truss. Ensure that flat the bar is installed with the welded nuts facing upward.
2. Install both threaded rods into the 3" flat bar with welded nuts, with a minimum of 2 thread pitches [1/4"] of the threaded rod extended beyond the top surface of each welded nut.



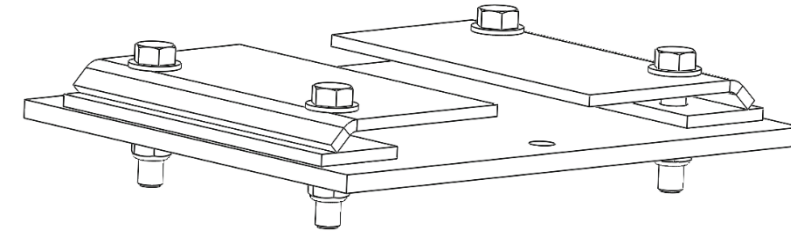
3. Install 3" flat bar without nuts through the holes onto threaded rod using 1/2" nuts and flat washers, thus sandwiching the top chord of the truss. Torque nuts 12 ft/lbs [as per details].



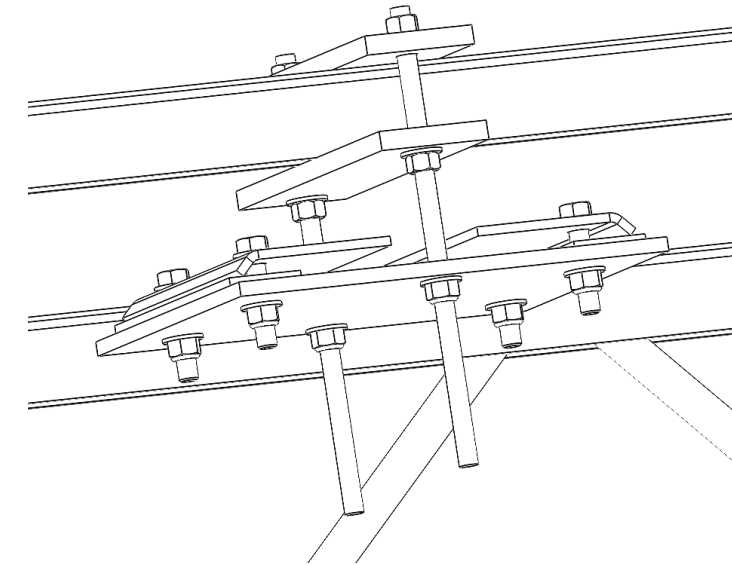
## Installation Instructions

4. Assemble I-beam clamps to the bottom plate on both sides by aligning the I-beam spacer, and the I-beam clamp slotted holes on the bottom plate and fasten loosely using 1/2" X 2 1/2" hex head cap screw, 1/2" flat washers and 1/2" nylock nuts.

**Note:** I-Beam spacer only required for angle 3/8" thick or more.

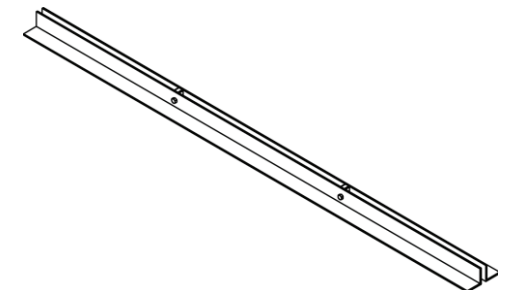


5. Install bottom plate [EN823X8328] with I-beam clamps assembled through center holes onto the two threaded rods using 1/2" nylock nuts and a flat washer allowing enough space for the web truss beam to easily slide through the assembly.



6. A minimum of two mounting points are required to carry the various lengths of web truss beam assemblies. Repeat steps 1-5 as required.

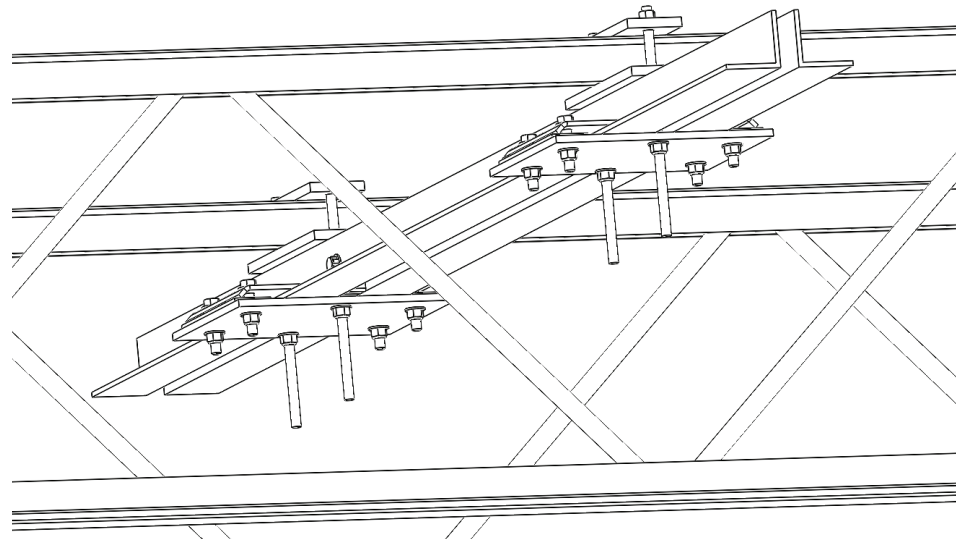
**Note:** Web Truss Beam may be installed as one assembled component or separately as two angles to allow ease of installation, however; note that angles must be bolted together with 1/2" X 2 1/2" hex head cap screws and 1/2" nylock nuts as many as required to complete the beam.



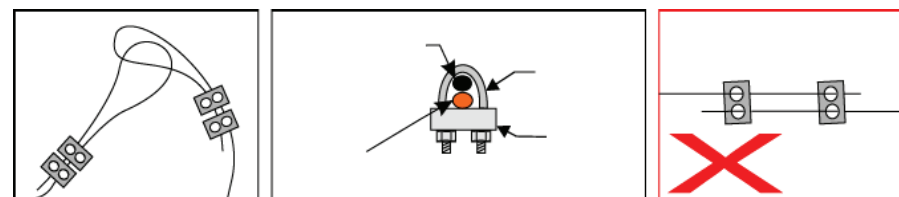
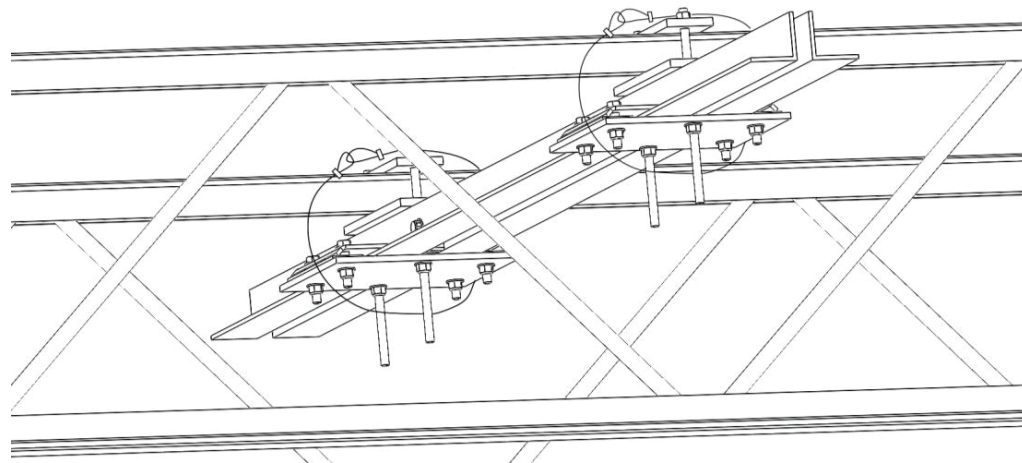
7. Insert one end of the web truss beam into the standard web truss bracket between the top of the bottom plate and the I-beam clamps. Then slide the web truss beam through the required assembled standard web truss bracket. Repeat the procedure at the opposite end. Ensure a minimum of 6" of web truss beam extends past the truss at each end.

8. Tighten the 1/2" nylock nuts underneath the bottom plate to secure the web truss beam by sandwiching the assembly together. Torque nylock nuts to 18 ft/lbs.

**Note:** Increased torque limits the load capacity of the bracket.



9. Thread safety cable around beam assembly and top chord of truss at each mounting point. Fasten the safety cable by looping the cable ends together as shown in detail and clamping them together using 3/16" cable clamps.



The standard web truss mount installation is now complete and ready for fan installation.

